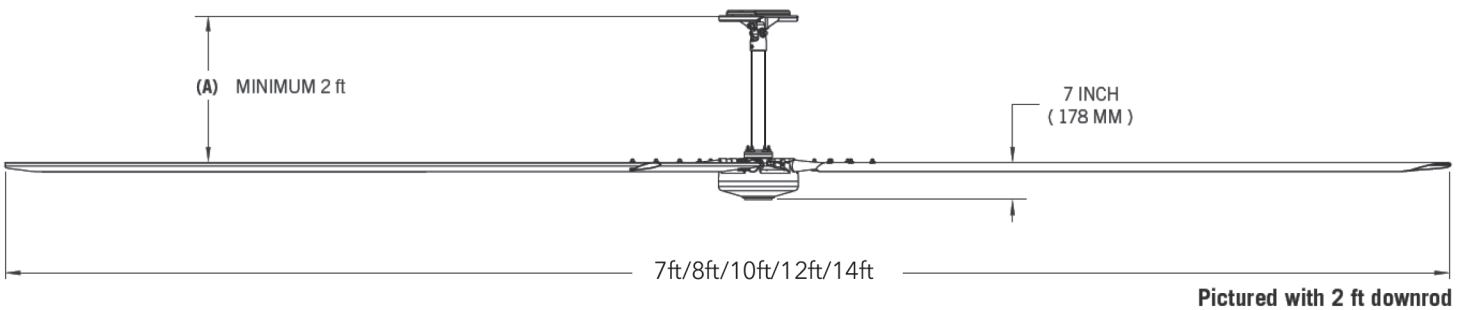


Hunter

XP

AIRFOIL DIAMETER	7ft	8ft	10ft	12ft	14ft
Airfoil Material	6005A Structural Grade Aluminum				
Airfoil Width	7in				
Number of Airfoils	4				
Airfoil Color	Black Matte				



PERFORMANCE	7ft	8ft	10ft	12ft	14ft
Max Speed (RPM)	138	156	139	106	108
Recommended Spacing	32ft	32ft	40ft	48ft	56ft
Max Affected Area (SQFT)	1,225	1,600	2,500	3,600	4,900
Sound Level dBA at Max Speed	<55	<55	<55	<55	<55

HANGING REQUIREMENTS	7ft	8ft	10ft	12ft	14ft
Hanging Weight (lbs)	100	104	108	117	121

Hunter

XP

MOTOR, DRIVE TRAIN, AND HP

	7ft	8ft	10ft	12ft	14ft
Motor Type	Brushless Motor				
Max Watts (W)	227	474	821	786	723
Operating Temp Range	14° to 140°F (-10° to 60°C)				
Motor Color	Black Matte				
Horsepower	--	1.0 HP	1.0 HP	1.25 HP	1.25 HP

RATED AMP DRAW

	7ft	8ft	10ft	12ft	14ft
100-120V Single Phase	8.3A	8.3A	8.3A	8.3A	8.3A

POWER AND CONTROLS

Power Source	AC 1PH 100-120V 50-60HZ
Main Controller	Variable Frequency Drive
Wall Control Options	Digital HMI 350, 500 or 700E Series
Building Management Compatible (With Gateway Accessory)	BACnet MS/TP, BACnet IP, Modbus RTU

INSTALLATION

Mounting Options	Unistrut
Downrod Length	2ft, 3ft, 4ft
Motor Wiring	Pre-wired motor cables with twist lock connections
HMI Wiring	CAT5/RJ45 Power Over Ethernet (POE)

Hunter

XP

RATING AND COMPLIANCE

Fire and Sprinkler	NFPA 13 and NFPA 72 Compliant
Wash Down Duty Rating	UL 507 Damp rated
Certifications	ETL/INTERTEK-CERTIFIED TO ANSI/UL 507 AND CSA C22.2 NO.113, IEC 61800-3, CE, AMCA Certified
Safety Features	Motor & Drive Overload Protection, Safety Retention Cable, Motor & Drive Protections, Fire Relay
Warranty	Limited Lifetime Warranty



(XP 8FT Fan pictured above)